



KESLA



KESLA 326T

Strong and reliable

NEW!

Watch a video!



**See what the product
designer has to say
about KESLA 326T**



KESLA 326T

The contractor is the king at Kesla. We are always listening to customer feedback in order to improve our products. That is why our new KESLA 326T loader comes with improved strength, durability and serviceability.

New strength in lifting and rotation

The new KESLA 326T loader has more power than a small village, 84 kNm. Even at its enormous maximum extension – 9.1 metres – it can lift 600 kg. The slewing device is strong, which is reflected in the smooth shifting of loads in all directions

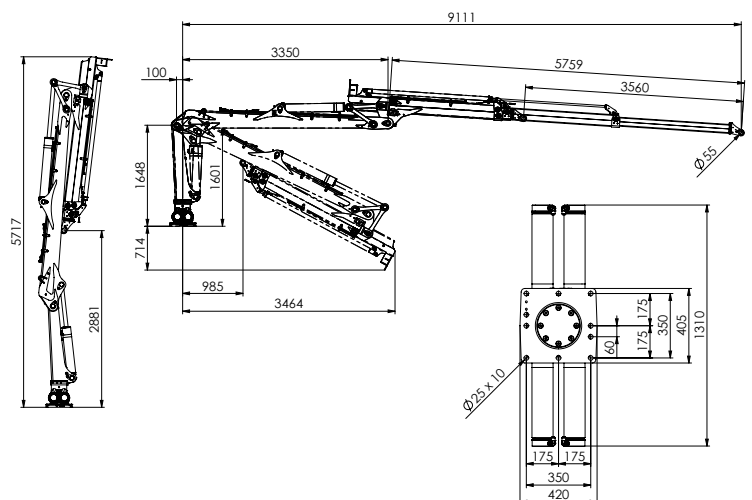
Reliability when you need it the most

We know that contractors and entrepreneurs strive to have as little downtime as possible with their machines. That is why we have further improved the durability and strength of our loader by choosing high-quality materials and making new bold design choices. One of our most important improvements is KESLA 326T's new design which houses all the hoses inside the boom. This keeps the hoses protected and makes daily maintenance and oiling easy.



The pictures might feature additional accessories. Kesla reserves the rights changes.

Technical data	
Maximum outreach	9,1 m
Boom extender	2 x 1,78 m
Gross lifting torque	84 kNm
Lifting capacity at 4m	1570 kg
Lifting capacity at max outreach	640 kg
Slewing torque	21,5 kNm
Slewing angle	380°
Recommended grapple	ProG26
Grapple area	0,24m ²
Largest opening	132 cm
Jaw width of the grip, max	377 mm
Rotator CR600FW (Nm/area)	1360 Nm (190 bar)/ unlimited
Operating pressure	190 bar
Recommended oil flow, LS	min. 130 l/min
Weight	1285 kg



Contact your local dealer and request an offer!